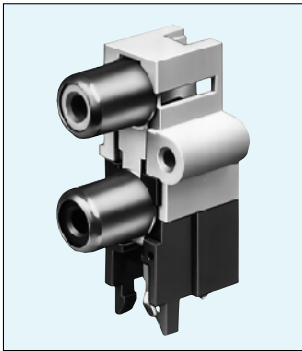


Horizontal Type Dual Pin Jacks Vertical Array

Unit: mm

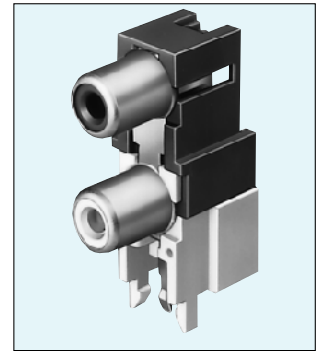
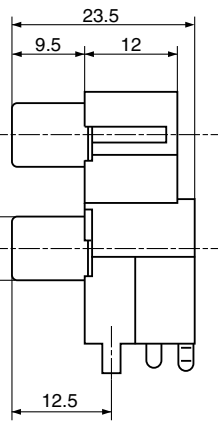
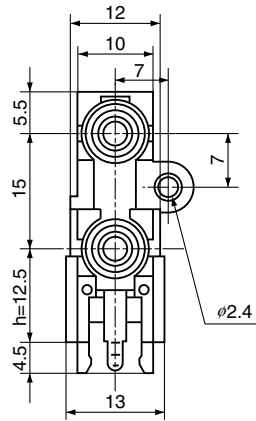
JPJ8411 / JPJ8318 Series

h = 12.5 mm



JPJ8411

With Installation Hole

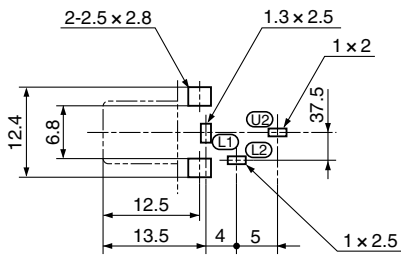


JPJ8318

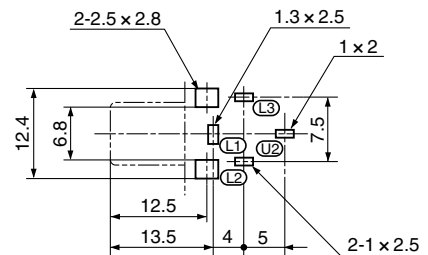
Without Installation Hole

Hole Layout (Bottom View)

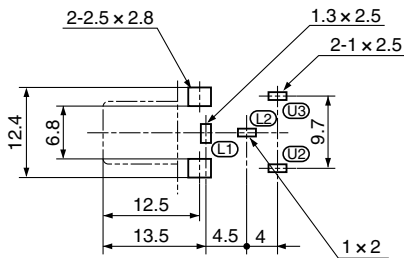
**JPJ8411
JPJ8318**



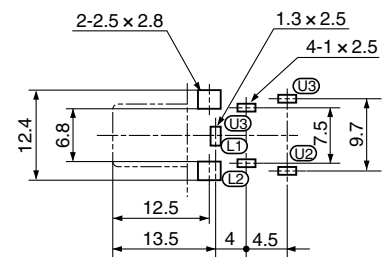
**JPJ8412
JPJ8312**



**JPJ8421
JPJ8321**



**JPJ8422
JPJ8322**



Model No. JPJ -01- 0

Installation Hole	8411	8412	8421	8422
With	8411	8412	8421	8422
Without	8318	8312	8321	8322
Schematic				

	Upper Pinjack (Housing) Color U	Lower Pinjack (Housing) Color L
1	Black	1 Black
2	Red	2 Red
3	White	3 White
4	Yellow	4 Yellow
5	Blue	5 Blue